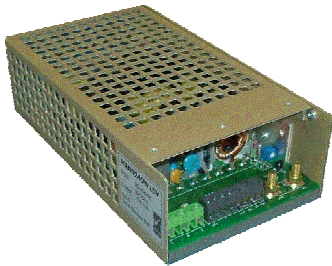


Specification MAN0110 and MAN0140 Series



Key Features

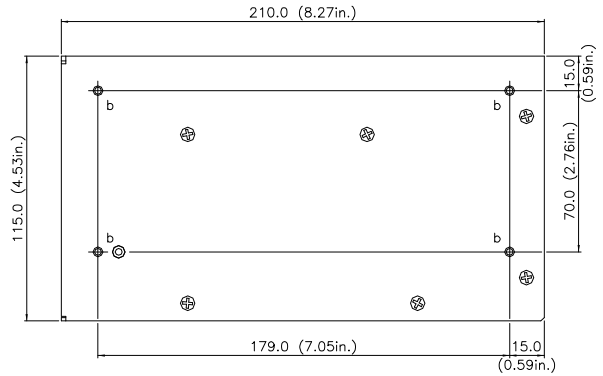
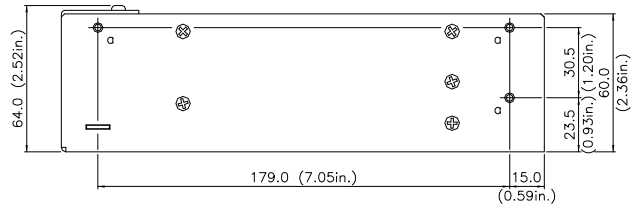
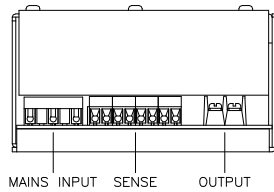
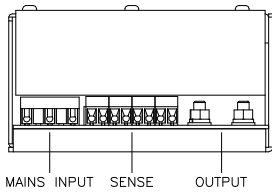
- Form, fit and function replacement for Farnell NS110 and NS140 range
- 85-265VAC operation
- Connections as original NS110 and NS140 range
- Complete transparency to end user

Specifications	
Input specification	
Input voltage Range	85-265V AC
Frequency	47 to 63Hz.
Inrush current	14/28A (100/200VAC)
Operating Current	1.3/0.65A (100/200VAC)
Efficiency	Typically 85% at full load.
Power factor	Meets EN61000-3-2.
EMI-filter standard	CISPR 22, EN55022 "B".
Radiated EMI	CISPR 22, EN55022 "B".
Holdup time (typ)	20ms
Harmonic Distortion	Meets EN61000-3-2.
Isolation	Meets EN60950.
Output specification	
Overall regulation	Less than 1%
Ripple pk-pk (20MHz bandwidth)	<120mV (5V), <150mV (12V), <150mV (15V), <200mV (24V), <200mV (48V)
Current limit	>104% of rated output current
Protection	Protected for continuous short circuit
Overvoltage protection	125-145% of nominal output Cycle AC input to reset.
Remote sense	Remote sense available. Local sense links fitted as standard.
Minimum load	Not required
External Inhibit	Application of logic high to inhibit input (OFF) to inhibit the unit output.
General	
Cooling	Convection
Operating temperature	-10°C to 70°C. For 50°C to 70°C, de-rate output by 4% per °C
Weight	0.8kg unpacked

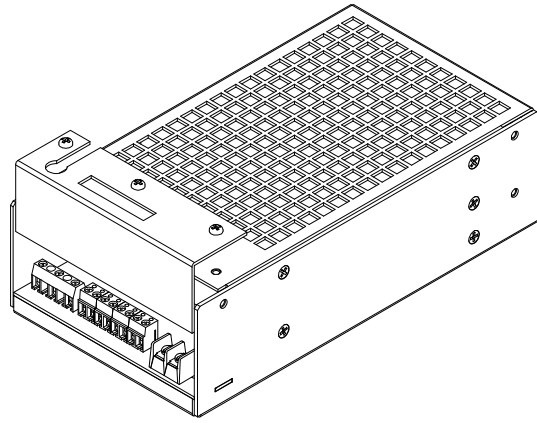
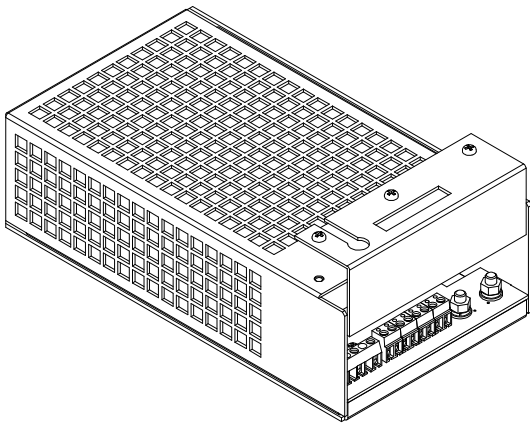
Specification

MAN0110 and MAN0140 Series

Mechanical Outline



- a - 3 x M3 FIXINGS (SIDE)
b - 4 x M3 FIXINGS (BASE)



Notes:

- Customer fixings : Base mounting : 4 x M3 ISO Standard ref. 'b' maximum screw penetration 5mm
Side mounting : 3 x M3 ISO Standard ref. 'a' maximum screw penetration 5mm
- Overall unit size : 179.0mm x 115.0mm x 60.0mm
- Ventilation : Top and side panels fully ventilated

Advance Product Services Ltd
Unit 30, Freemans Way, Harrogate Business Park
Harrogate, North Yorkshire, HG3 1DH, UK
Tel +44 1423 812980. Fax +44 1423 812982